



**WELLS-GARDNER**  
ELECTRONICS CORPORATION

# U5000

## STANDARD RES/MID RES



# U 5 0 0 0

## PRODUCT SPECIFICATIONS

### SPECIFICATIONS

- CRT size (diagonal measure): **25", 27"**
- Phosphor type: P22
- CRT etch: Polished faceplate; other faceplates available
- Striped trio spacing: 0.84 mm (25" and 27")

### INPUT SIGNALS

- Input connector: 0.156 center header
- Video type: RGB analog
- Video input impedance: 1K Ohm; other values available
- Video level: 1.5 to 4 volts peak-to-peak; other levels optional
- Sync type: TTL sync; separate or composite, negative or positive
- Sync input impedance: 4.7 Ohms
- Horizontal sync frequency: 15.75 KHz or 25 KHz
- Vertical sync frequency: 47 to 63 Hz

### LIGHT OUTPUT

40 fL typical

### GEOMETRY

- Horizontal linearity:  $\pm 5\%$
- Vertical linearity:  $\pm 5\%$
- Picture size regulation: 2%
- Geometric distortion:  $\pm 2\%$  max

### POWER INPUT

- Input voltage: 90 - 264 VAC, 50 - 70 Hz; no isolation transformer required
- Maximum power: 130 Watts

### USER CONTROLS

- Remote controls: Brightness, contrast, horizontal size, horizontal centering, horizontal frequency, vertical size, vertical centering, vertical frequency
- Internal controls: Focus

### MECHANICAL

See additional pages

### MISCELLANEOUS

- Operating temperature: 0 to 55 degrees C
- Agency compliance: U.L., C.S.A., D.H.H.S. radiation performance std., TUV

### RESOLUTION

- Graphics modes: Standard Res - 640 X 200 (may be limited by the CRT)  
Mid Res - 640 X 400 (may be limited by the CRT)
- Video bandwidth: 15 MHz typical

**SPECIFICATIONS SUBJECT TO CHANGE WITHOUT NOTICE.**

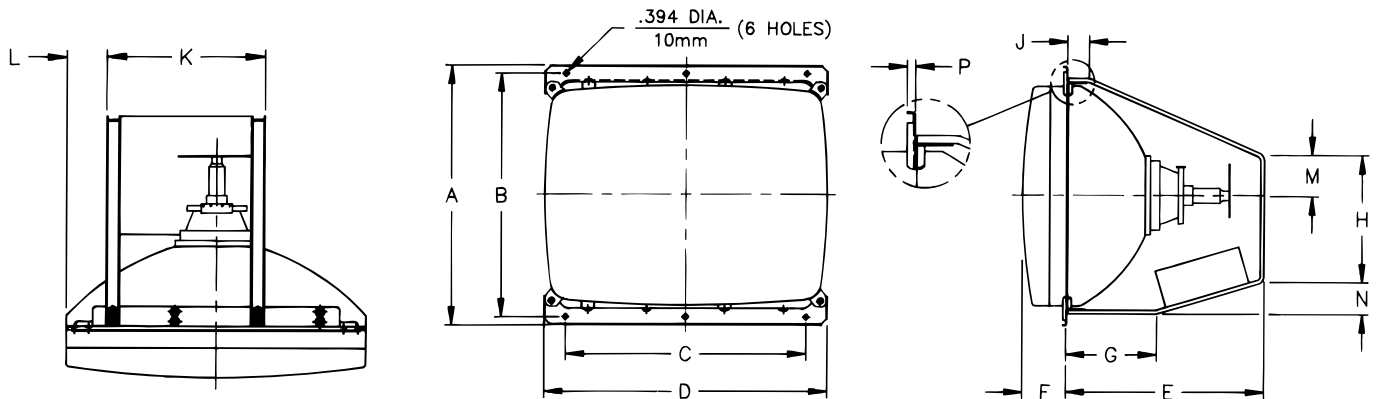


**U 5 0 0 0**  
**MECHANICAL SPECIFICATIONS**



**WELLS-GARDNER**  
**ELECTRONICS CORPORATION**

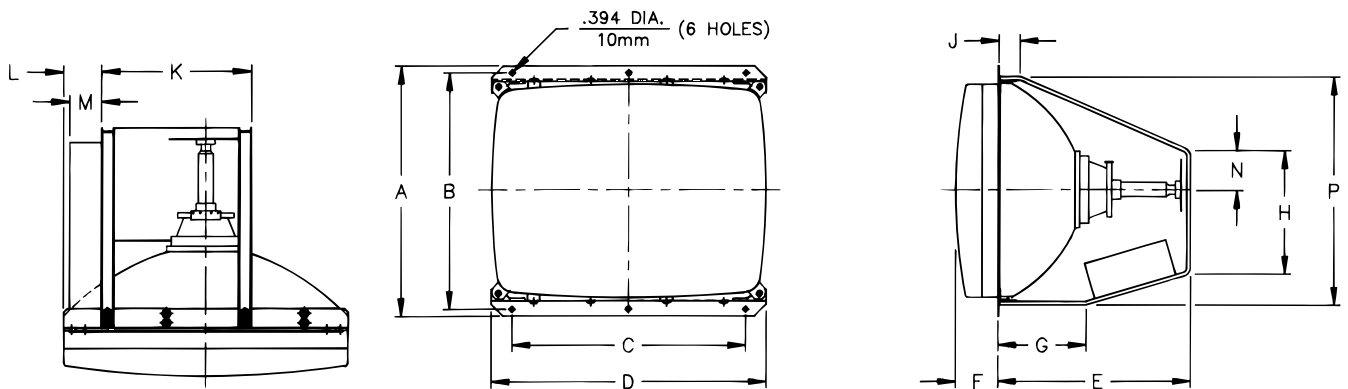
DIMENSIONS SHOWN ARE FOR REFERENCE ONLY. FOR SPECIFICS CONTACT W.G.E.C. ENGINEERING.  
 2701 North Kildare Avenue Chicago, Illinois 60639 Phone (773) 252-8920 Fax (773) 252-8072



**25V Color Monitor 25-U4 (F25M4)**

WG P/N: WGM2550-U4GS29F

DIM.	A	B	C	D	E	F	G	H	J	K	L	M	N	P
IN.	20.630	19.291	19.291	23.000	16.125	3.590	7.375	10.125	1.750	12.000	3.140	3.250	2.562	.343
mm.	524.0	490.0	490.0	584.2	409.58	91.19	187.33	257.18	44.45	304.8	79.76	82.55	65.07	8.71



**27V Color Monitor 27-U0 (F27M)**

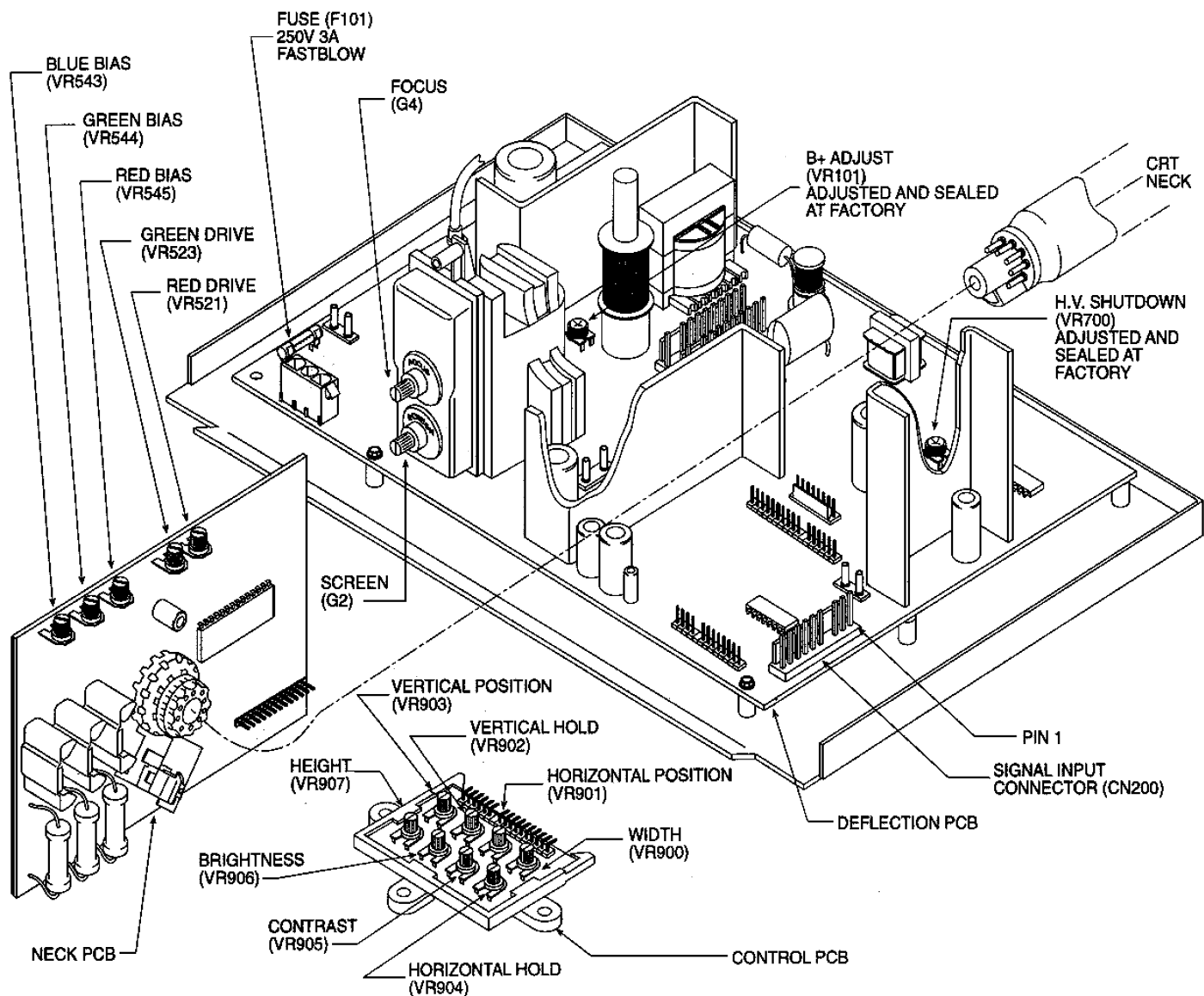
WG P/N: WGM2752-U0GS37F

DIM.	A	B	C	D	E	F	G	H	J	K	L	M	N	P
IN.	21.937	20.644	20.644	24.500	16.125	3.230	7.375	10.125	1.750	12.000	3.875	2.750	3.250	20.210
mm.	557.20	524.36	524.36	622.30	409.58	82.04	187.33	257.18	44.45	304.80	98.43	69.85	82.55	513.34



**WELLS-GARDNER**  
ELECTRONICS CORPORATION

M O D E L O O



**AC INPUT CONNECTOR: CN101**

AMP 350760-4

Mating AMP type 1-480700-0

<u>Pin</u>	<u>Description</u>
1	AC hot
2	Earth ground
3	AC neutral

**MODE SELECTION CONNECTORS**

CN15K	15kHz Operation
CN25K	25kHz Operation

**INPUT SIGNAL CONNECTOR: CN200**

AMP 1-640445-1

Mating AMP type 1-640428-1

<u>Pin</u>	<u>Description</u>
1	Red
2	Green
3	Blue
4	Gnd
5	Vertical
6	Horizontal
7	
8	Gnd
9	Vertical
10	Horizontal



**WELLS-GARDNER**  
ELECTRONICS CORPORATION

# U 5 0 0 0



## REPLACEMENT PARTS LIST

Power Supply Board Assembly 25A1427-001 P735

### FINAL ASSEMBLY PAR18 Y63E51 91 -000

1	038A7448-000	ASSEMBLY: CRT BRKT MTG (2)
2	038A7469-000	ASSEMBLY: CHASSIS PAN
3	038A7520-000	ASSEMBLY: CRT GND WIRE
4	001X0802-002	DEGAUSSING COIL STRAP (4)
5	001X0811-001	BARRIER NECK PCB
6	002X0602-005	SPACER 5/16 (5)
7	004X2577-001	PCB SUPPORT
8	009A2963-002	COIL DEGAUSS 25" CRT ALUM
9	020X1794-126	SCR 1/4-20x518 HH WSH/LK (4)
10	025X3299-001	BRKT U-CHANNEL (2)
11	030X0762-001	CABLE TIE (7)
12	030X0765-001	LUG
13	030X0827-001	WIRE CLAMP
14	088X0351-506	CRT 25" C MVA63AFW22X PHILIPS
15	089X0113-001	RTV SILICON RUBBER
16	089X0133-001	ADHESIVE 2 PART EPOXY
17	312X1205-206	SCR SWG #6-32x3/8 HWH (2)
18	312X1505-906	SCR SWG 8-32x3/8 HWH GRN
19	312X1805-206	SCR SWG 10-24x3/8 HWH (12)
20	Y63E5191-000L	RS LITERATURE - Y63E5191

### CONTROL BOARD ASSEMBLY 025A1 41 5-001 P71 8

21	004X2572-001	PCB HOLDER
22	013X1331-001	CABLE ASSY CONTROL PCB
23	085X0375-001	PC BOARD
24	CN903 006A0474-017	HEADER 17 PIN 0.100 CTR R.A.
25	R900 320X2200-000	WIRE #22 BARE SOLID
26	R901 340X2272-934	RES 2.7K OHM 5%1/4 CF
27	R902 340X2222-934	RES 2.2K OHM 5%1/4 CF
28	VR900 040X0703-004	TRIM POT SK OHM 0.5W 20%
29	VR901 040X0703-006	TRIM POT 20K OHM 0.5W 20%
30	VR902 040X0703-008	TRIM POT 200K OHM 0.5W 20%
31	VR903 040X0703-005	TRIM POT 1 OK OHM 0.5W 20%
32	VR904 040X0703-004	TRIM POT SK OHM 0.5W 20%
33	VR905 040X0703-005	TRIM POT 10K OHM 0.5W 20%
34	VR906 040X0703-007	TRIM POT 100K OHM 0.5W 20%
35	VR907 040X0703-008	TRIM POT 200K OHM 0.5W 20%

### NECK BOARD ASSEMBLY 025A1 41 4-001 P71 9

36	013X1330-001	CABLE ASSY VIDEO PCB
37	025X3341-001	HEAT SINK (QTY 3)
38	085X0376-001	PC BOARD
39	W507 340X2101-934	RES 100 OHM 5%1/4W
40	W522 340X2101-934	RES 100 OHM 5%1/4W
41	C501 045X0560-518	CAP LYT 10uF 25V
42	C502 045X0560-518	CAP LYT 10uF 25V
43	C503 045X0560-518	CAP LYT 10uF 25V
44	C504 045X0566-007	CAP LYT 4.7uF 20% 200V 105 C
45	C505 080X0099-062	CAP 0.02uF +80-20% Z5U 500V
46	C506 047X0788-512	CAP 0.1uF 20% Z5U 50V MON
47	C507 045X0560-554	CAP LYT 100uF 20%16V
48	C508 047X0788-512	CAP 0.1uF 20% Z5U 50V MON
49	C510 047X0788-512	CAP 0.1uF 20% Z5U 50V MON
50	C512 045X0560-519	CAP LYT 1.0uF 20% 50V
51	C513 047X0788-512	CAP 0.1uF 20% Z5U 50V MON
52	C514 047X0788-512	CAP 0.1uF 20% Z5U 50V MON
53	C515 047X0788-512	CAP 0.1uF 20% Z5U 50V MON
54	C516 047X0788-512	CAP 0.1uF 20% Z5U 50V MON
55	C517 047X0788-512	CAP 0.1uF 20% Z5U 50V MON
56	C518 047X0788-512	CAP 0.1uF 20% Z5U 50V MON
57	C519 045X0560-501	CAP LYT 4.7uF 25V
58	C520 047X0788-512	CAP 0.1uF 20% Z5U 50V MON
59	C521 047X0788-512	CAP 0.1uF 20% Z5U 50V MON
60	C525 047X0788-033	CAP 680pF 10% NPO 50V MON
61	C526 047X0788-033	CAP 680pF 10% NPO 50V MON
62	C527 047X0788-033	CAP 680pF 10% NPO 50V MON
63	C529 080X0099-095	CAP 1000pF 10% Z5F 2KV CER
64	C530 045X0560-518	CAP LYT 10uF 25V
65	C53 1 080X0099-703	CAP 3.9p pF N PO 50V CER
66	C532 080X0099-703	CAP 3.9pF NPO 50V CER
67	C533 080X0099-703	CAP 3.9pF NPO 50V CER
68	C540 090X0099-506	CAP 470pF 10% 25F
69	C541 045X0560-001	CAP LYT 4.7uF 25V
70	CN501 006A0473-013	HEADER 13 PIN 0.100 CTR
71	CRT-GND 030X0756-001	PIN BEAD CHAIN
72	D501 066X0070-001	DIODE 1N914B
73	D502 066X0070-001	DIODE 1N914B
74	D503 066X0070-001	DIODE 1N914B
75	D504 066X0062-001	DIODE SANYO GMA02
76	D505 066X0062-001	DIODE SANYO GMA02
77	D506 066X0062-001	DIODE SANYO GMA02
78	D507 066X0070-001	DIODE 1N914B
79	G2 030X0797-001	PLUG V PIN
80	L501 009A2811-004	COIL 12uH
81	L502 009A2811-004	COIL 12uH
82	L503 009A2811-004	COIL 12uH
83	O501 086X0113-501	TRSTR 2N3904 MOT
84	Q502 086X0113-501	TRSTR 2N3904 MOT
85	Q503 086X0287-001	TRSTR NPN SANYO 25C3782



**WELLS-GARDNER**  
ELECTRONICS CORPORATION

U 5 0 0 0



**NECK BOARD ASSEMBLY**  
**025A1414-001**  
**P719**

86	Q504	086X0287-001	TRSTR NPN SANYO 25C3782
87	Q505	086X0287-001	TRSTR NPN SANYO 25C3782
88	Q506	086X0113-501	TRSTR 2N3904 MOT
89	Q507	086X0113-501	TRSTR 2N3904 MOT
90	Q508	086X0113-501	TRSTR 2N3904 MOT
91	Q509	086X0114-501	TRSTR 2N3904 MOT
92	Q510	086X0114-501	TRSTR 2N3904 MOT
93	Q511	086X0114-501	TRSTR 2N3904 MOT
94	R500	340X4033-633	RES 3.3 OHM 5% 1W MO/MF
95	R501	340X2242-934	RES 2.4K OHM 5% 1/4W CF
96	R502	340X2242-934	RES 2.4K OHM 5% 1/4W CF
97	R503	340X2242-934	RES 2.4K OHM 5% 1/4W CF
98	R504	340X2112-934	RES 1.1K OHM 5% 1/4W CF
99	R505	340X2112-934	RES 1.1K OHM 5% 1/4W CF
100	R506	340X2112-934	RES 1.1K OHM 5% 1/4W CF
101	R507	340X2103-934	RES 10K OHM 5% 1/4W CF
102	R508	340X2103-934	RES 10K OHM 5% 1/4W CF
103	R509	340X2103-934	RES 10K OHM 5% 1/4W CF
104	R510	340X4300-934	RES 30 OHM 5% 1W CF
105	R511	340X2113-934	RES 11.0K OHM 5% 1/4W CF
106	R512	340X2302-934	RES 3.0K OHM 5% 1/4W CF
107	R513	340X2910-934	RES 91K OHM 5% 1/4W CF
108	R514	340X2103-934	RES 10K OHM 5% 1/4W CF
109	R515	340X2102-934	RES 1.0K OHM 5% 1/4W CF
110	R516	340X2103-934	RES 10K OHM 5% 1/4W CF
111	R517	340X2103-934	RES 10K OHM 5% 1/4W CF
113	R518	340X2751-934	RES 750 OHM 5% 1/4W CF
113	R519	340X2181-934	RES 180 OHM 5% 1/4W CF
114	R520	340X2560-934	RES 56 OHM 5% 1/4W CF
115	R522	340X2560-934	RES 56 OHM 5% 1/4W CF
116	R524	340X2101-934	RES 100 OHM 5% 1/4W CF
117	R528	420X8272-326	RES 2.7K OHM 5% 5W MO
118	R529	420X8272-326	RES 2.7K OHM 5% 5W MO
119	R530	420X8272-326	RES 2.7K OHM 5% 5W MO
120	R531	340X2220-934	RES 22 OHM 5% 1/4W CF
121	R532	340X2220-934	RES 22 OHM 5% 1/4W CF
122	R533	340X2220-934	RES 22 OHM 5% 1/4W CF
123	R537	340X2560-934	RES 56 OHM 5% 1/4W CF
124	R538	340X2560-934	RES 56 OHM 5% 1/4W CF
125	R539	340X2560-934	RES 56 OHM 5% 1/4W CF
126	R540	340X2390-934	RES 39 OHM 5% 1/4W CF
127	R541	340X2390-934	RES 39 OHM 5% 1/4W CF
128	R542	340X2390-934	RES 39 OHM 5% 1/4W CF
129	R543	040X0653-008	TRIM POT 1K OHM 20% 0.5W
130	R544	040X0653-008	TRIM POT 1K OHM 20% 0.5W
131	R545	040X0653-008	TRIM POT 1K OHM 20% 0.5W
132	R546	340X3151-234	RES 150 OHM 5% 1/2W CC
133	R547	340X3102-234	RES 1.0K OHM 5% 1/2W CC
134	R548	320X2000-000	WIRE #20 BARE SOLID
135	R549	340X3151-234	RES 150 OHM 5% 1/2W CC
136	R550	340X3151-234	RES 150 OHM 5% 1/2W CC
137	R551	340X3151-234	RES 150 OHM 5% 1/2W CC
138	R552	340X2391-934	RES 390 OHM 5% 1/4W CC
139	R553	340X2391-934	RES 390 OHM 5% 1/4W CC
140	R554	340X2391-934	RES 390 OHM 5% 1/4W CC
141	R555	340X2391-934	RES 390 OHM 5% 1/4W CC
142	R556	086X0113-501	TRSTR NPN SANYO 25C3782
143	R557	086X0113-501	TRSTR NPN SANYO 25C3782
144	R558	086X0113-501	TRSTR NPN SANYO 25C3782
145	R559	086X0113-501	TRSTR NPN SANYO 25C3782
146	R560	086X0113-501	TRSTR NPN SANYO 25C3782
147	R561	086X0113-501	TRSTR NPN SANYO 25C3782
148	R562	086X0113-501	TRSTR NPN SANYO 25C3782
158		038A7357-000	ASSEMBLY: HEAT SINK; U601
159		038A7432-000	ASSEMBLY: HEAT SINK; U601

**DEFLECTION BOARD ASSEMBLY**  
**025A1426-001**  
**P738**

160	038A7432-000	ASSEMBLY: HEAT SINK; U601
161	001X0711-001	INSUL SIL-PAD; Q710
162	001X0772-001	INSUL SIL-PAD; Q101
163	001X0776-001	INSUL SIL-PAD; Q704
164	001X0772-001	INSUL SIL-PAD; D707
165	001X0810-001	MOUNTING CLIP FOR Q101
166	001X0810-001	MOUNTING CLIP D707
167	002X0591-001	WASHER SHOULDER Q710
168	016X0209-001	FUSE CLIPS PCB 5x20mm (2)
169	080X0099-685	NUT KEPS 4-40; Q704
170	080X0099-232	NUT KEPS 4-40; Q710
171	080X0099-111	NUT KEPS 4-40; U601
172	046X0561-002	NUT KEPS 4-40; Q101
173	045X0580-031	NUT KEPS 4-40; D707
174	046X0544-004	PCB BOARD
175	045X0580-027	SCR MACH 4-40x1/4HH; U601
176	047X0789-510	SCR SWG #4-40x3/8HH; Q710
177	080X0099-505	SCR MACH #4-40x1/2HWH;
	Q101	
178	312X0605-208	SCR SWG #4-40 x 1/2 HWH:
	Q704	
179	312X1205-206	SCR SWG #6-32 x 3/8 HWH: PCB
180	C101	CAP 0.47uF 250V UL/CSA/VDE
181	C102	CAP 2200pF 400V UL/CSA/VDE
182	C103	CAP 2200pF 400V UL/CSA/VDE
183	C104	CAP 0.22uF 250V UL/CSA/VDE
184	C105	CAP LYT 270uF 20% 400V 105 C
185	C106	CAP 0.01uF 10% Y5P 500V CER
186	C107	CAP LYT 33uF 20% 160V 105 C
187	C108	CAP 0.01uF 10% Y5P 500V CER
188	C109	CAP 0.01uF 10% Y5P 500V CER
189	C110	CAP 0.01uF 10% Y5P 500V CER
190	C111	CAP 0.01uF 10% Y5P 500V CER
191	C112	CAP 0.01uF 10% Y5P 500V CER
192	C114	CAP 0.01uF 10% Y5P 500V CER
193	C115	CAP 0.01uF 10% Y5P 500V CER
194	C116	CAP 0.01uF 10% Y5P 500V CER
195	C117	CAP 0.01uF 10% Y5P 500V CER
196	C118	CAP 0.01uF 10% Y5P 500V CER
197	C301	CAP 0.01uF 10% Y5P 500V CER
198	C302	CAP 0.01uF 10% Y5P 500V CER
199	C303	CAP 0.01uF 10% Y5P 500V CER
200	C304	CAP LYT 1000uF 20% 25V
201	C305	CAP LYT 1000uF 20% 25V
202	C310	CAP LYT 1000uF 20% 25V
203	C600	CAP LYT 1000uF 20% 25V
204	C601	CAP LYT 1000uF 20% 25V
205	C602	CAP LYT 10uF 25V
206	C603	CAP 0.10uF 5% 100V SMF
207	C604	CAP 0.10uF 5% 100V SMF
208	C605	CAP LYT 100uF 35V
209	C606	CAP 0.10uF 5% 100V SMF
210	C607	CAP LYT 470uF 35V
211	C608	CAP 0.10uF 5% 100V SMF
212	C609	CAP 0.047uF 10% 100V P-ESTER
213	C611	CAP 0.022uF 10% 50V P-ESTER
214	C610	CAP LYT 2.2uF 50V
215	C612	CAP 0.033uF 10% 50V P-ESTER
216	C613	CAP LYT 100uF 35V
217	C614	CAP 0.22uF 5% 50V SMF
218	C615	CAP LYT 33uF 16V
219	C616	CAP LYT 1000uF 50V 105 C
220	C617	CAP 0.1uF 20% Z5U 50V MON
221	C620	CAP 1000pF 10% Y5P 50V CER
222	C700	CAP LYT 220uF 16V



**WELLS-GARDNER**  
ELECTRONICS CORPORATION

U 5 0 0 0



**DEFLECTION BOARD ASSEMBLY**  
**025A1426-001**

**P738**

223	C701	045X0560-518	CAP LYT 10uF 25V
224	C702	080X0099-710	CAP 100pF 10% Z5F 50V CER
225	C703	047X0788-502	CAP 1500pF 5% NPO 50V MON
226	C704	047X0788-505	CAP 270pF 10% NPO 50V MON
227	C705	045X0550-502	CAP 5600pF 50V POLY FILM
228	C706	045X0560-544	CAP LYT 1.0uF 50V
229	C707	047X0788-515	CAP 0.01uF 20% Z5U 50V MON
230	C708	046X0550-502	CAP 5600pF 2% 50V POLY FILM
231	C709	045X0560-544	CAP LYT 1.0uF 50V
232	C710	047X0786-501	CAP 0.01uF 10% 50V P-ESTER
233	C711	047X0789-501	CAP 0.10uF 5% 100V SMF
234	C712	045X0560-006	CAP LYT 1000uF 16V
235	C713	045X0560-501	CAP LYT 4.7uF 25V
236	C714	080X0099-722	CAP 3300pF 10% Y5P 500V CER
237	C715	080X0099-580	CAP 100pF 120% Z5F 500V CER
238	C716	045X0560-549	CAP LYT 1.0uF 20% 200V
239	C718	046X0536-065	CAP 680uF 1600V 2% P-PROP
240	C719	046X0536-021	CAP 0.27uF 200V 5% P-PROP
241	C720	046X0536-064	CAP 1000pF 630V 10% P-PROP
242	C721	046X0536-021	CAP 0.27uF 200V 5% P-PROP
243	C722	046X0537-006	CAP 0.47uF 200V 5% P-PROP
244	C723	046X0536-044	CAP 6000uF 1600V 2% P-PROP
245	C724	046X0536-012	CAP 0.015uF 400V 5% P-PROP
246	C725	045X0580-533	CAP LYT 100uF 20% 50V 105C
247	C726	047X0788-505	CAP 270pF 10% NPO 50V MON
248	C727	047X0786-519	CAP 2200pF 5% 50V P-ESTER
249	C728	047X0786-511	CAP 0.1uF 10% 50V P-ESTER
250	C729	045X0580-535	CAP LYT 220uF 20% 50V 105 C
251	C730	045X0560-501	CAP LYT 4.7uF 25V
252	C731	045X0560-518	CAP LYT 10uF 25V
253	C732	045X0560-518	CAP LYT 10uF 25V
254	C733	080X0099-697	CAP 120pF 5% NPO 50V CER
255	C800	080X0099-234	CAP 0.01uF 10% R 250V CER
256	C801	080X0099-234	CAP 0.1uF 10% R 250V CER
257	C802	047X0788-515	CAP 0.1uF 20% Z5U 50V MON
258	C803	080X0099-062	CAP 0.2uF +80-10% Z5U 500V
259	C804	080X0099-095	CAP 1000pF 10% Z5F 2KV CER
260	C805	045X0560-550	CAP LYT 2.2uF 20% 200V
261	C808	045X0560-550	CAP LYT 2.2uF 20% 200V
262	C810	045X0560-555	CAP LYT 10uF 20% 63V
263	CN101	006A0475-003	HEADER 3 PIN
264	CN102	006A0427-001	PLUG HEADER 2 PIN
265	CN15K	006A0403-011	HEADER 11 PIN 0.156 CTR
266	CN25K	006A0403-011	HEADER 11 PIN 0.156 CTR
267	CN200	006A0403-010	HEADER 10 PIN 0.156 CTR
268	CN201	006A0473-013	HEADER 13 PIN 0.100 CTR
269	CN203	006A0473-010	HEADER 17 PIN 0.100 CTR
270	CN206	006A0427-001	PLUG HEADER 2 PIN
271	CN207	006A0427-002	HEADER 2 PIN
272	D101	066X0135-001	DIODE 1N5406
273	D102	066X0135-001	DIODE 1N5406
274	D103	006A0427-001	PLUG HEADER 2 PIN
275	D104	006A0427-001	PLUG HEADER 2 PIN
276	D105	006X0095-001	DIODE 1N4007 STATIC SENS
277	D106A	006X0097-001	DIODE 200V 3.5A BYV28-200
278	D106B	006X0097-001	DIODE 200V 3.5A BYV28-200
279	D106C	006X0097-001	DIODE 200V 3.5A BYV28-200
280	D107	066X0126-002	DIODE MUR490
281	D108	066X0090-001	DIODE RU2 1A 600V FAST REC
282	D109	066X0071-001	DIODE 1N4001
283	D110	066X0071-001	DIODE 1N4001
284	D111	066X0071-001	DIODE 1N4001
285	D112	066X0090-001	DIODE RU2 1A 600V FAST REC
286	D113	066X0090-001	DIODE RU2 1A 600V FAST REC
287	D114	066X0071-001	DIODE 1N4001

**DEFLECTION BOARD ASSEMBLY**  
**025A1426-001**

**P738**

288	D117	066X0144-001	DIODE 1A 600V GI RGP10J
289	D301	066X0090-001	DIODE RU2 1A 600V FAST REC
290	D302	066X0090-001	DIODE RU2 1A 600V FAST REC
291	D303	066X0090-001	DIODE RU2 1A 600V FAST REC
292	D310	066X0090-001	DIODE RU2 1A 600V FAST REC
293	D600	066X0090-001	DIODE 1N914B
294	D601	066X0090-001	DIODE 1N914B
295	D602	066X0090-001	DIODE 1N914B
296	D603	066X0090-001	DIODE 1N4001
297	D604	066X0090-001	DIODE 1N914B
298	D700	066X0090-001	DIODE 1N914B
299	D702	066X0070-001	DIODE 1N914B
300	D707	066X0143-001	DIODE DD202
301	D708	066X0126-005	DIODE 900V 4A MUR490E
302	D709	066X0070-001	DIODE 1N914B
303	D710	066X0070-001	DIODE 1N914B
304	D711	066X0070-001	DIODE 1N914B
305	D712	066X0070-001	DIODE 1N914B
306	D713	066X0070-001	DIODE 1N914B
307	D716	066X0126-005	DIODE 200V 3.5A BYV28-200
308	D800	066X0070-001	DIODE 1N914B
309	D802	066X0062-001	DIODE SANYO GMA02
310	D803	066X0062-001	DIODE SANYO GMA02
311	D804	066X0070-001	DIODE 1N914B
312	D805	066X0070-001	DIODE 1N914B
313	D806	066X0070-001	DIODE 1N914B
314	D807	066X0070-001	DIODE SANYO GMA02
315	F101	016X0208-001	FUSE 3A FAST BLOW 250V
316	L101	052X0147-001	CHOKE COM MODE INPUT
317	L102	038A7494-000	ASSEMBLY: FERRITE BEAD
318	L103	009A2983-001	CHOKE TOROID 23uH 3A
319	L104	009A2811-004	COIL 12uH
320	L105	009A2811-002	COIL 22uH
321	L701	009A2976-002	COIL LINEARITY CTR TAPPED
322	L703	009A2970-002	COIL PINCUSHION
323	L704	009A2811-012	COIL PEAKING 0.82uH
324	P15/25K	038A7508-000	FREQ CHANGE PLUG ASSY
325	Q101	086X0334-001	FET N CHANNEL SSP6N60
326	Q601	086X0113-501	TRSTR 2N3904 MOT
327	Q602	086X0113-501	TRSTR 2N3904 MOT
328	Q700	086X0113-501	TRSTR 2N3904 MOT
329	Q703	086X0185-501	TRSTR 25C2482 TOSH
330	Q704	086X0286-001	TRSTR 25C3686 SANYO
331	Q705	086X0114-501	TRSTR 2N3906 MOT
332	Q708	086X0185-501	TRSTR 25C2482 TOSH
333	Q709	086X0211-501	TRSTR 2N4403 STATIC SENS
334	Q710	086X0335-001	TRSTR BDX53A SGS NPN DAR
335	Q800	086X0133-501	TRSTR MPSA92 MOT
336	Q801	086X0113-501	TRSTR 2N3904 NPN
337	Q808	086X0113-501	TRSTR 2N3904 MOT
338	R100	340X8047-631	THERM NTC 10 OHM
339	R101	043X0493-001	RES 68K OHM 5% 1W
340	R102	420X4683-313	RES 68K OHM 5% 1W
341	R103	420X4683-313	RES 68K OHM 5% 1W
342	R104	043X0484-006	RES 10K OHM 5% 7W
343	R105	340X6471-631	RES 470 OHM 5% 3W MO/MF
344	R106	340X2102-934	RES 1.0K OHM 5% 1/4W CF
345	R107	340X2100-934	RES 10 OHM 5% 1/4W CF
346	R108	420X5209-323	RES 0.22 OHM 5% 2W
347	R110	421X1822-221	RES 18.2K OHM 1% 1/4W MF
348	R111	340X4471-631	RES 470 OHM 5% 1W MO/MF
349	R112	340X2561-934	RES 560M OHM 5% 1/4W CF
350	R113	421X2001-221	RES 2.00K OHM 1% 1/4W MF
351	R114	340X2102-934	RES 10K OHM 10% 1/4W CF
352	R115	340X2222-934	RES 2.2K OHM 5% 1/4W CF





**WELLS-GARDNER**  
ELECTRONICS CORPORATION

# U5000



**DEFLECTION BOARD ASSEMBLY**  
**025A1426-001**

**P738**

353	R116	340X2102-934	RES 1.0K OHM 5% 1/4W CF
354	R117	340X2102-934	RES 1.0K OHM 10% 1/4W CF
355	R120	340X5683-531	RES 68K OHM 5% 2W CF
356	R121	043X0510-001	THERM PTC 8 OHM 120V
357	R122	340X5106-531	RES 10M OHM 10% 2W CF
358	R123	340X5105-531	RES 1M OHM 10% 2W CF
359	R124	340X2101-934	RES 100 OHM 5% 1/4W CF
360	R301	043X0486-002	RES 1.2 OHM 5% 2W MF
361	R303	043X0486-002	RES 1.2 OHM 5% 2W MF
362	R305	340X3122-934	RES 1.2K OHM 5% 1/2W CF
363	R310	934X0486-002	RES 1.2K OHM 5% 2W MF
364	R600	340X2101-934	RES 100K OHM 5% 1/4W CF
365	R601	340X2473-934	RES 47K OHM 5% 1/4W CF
366	R602	340X2223-934	RES 22K OHM 5% 1/4W CF
367	R603	340X2681-934	RES 680K OHM 5% 1/4W CF
368	R604	340X2472-934	RES 4.7K OHM 5% 1/4W CF
369	R605	340X2101-934	RES 1.0K OHM 5% 1/4W CF
370	R606	340X2101-934	RES 1.0K OHM 5% 1/4W CF
371	R607	340X2432-934	RES 4.3K OHM 5% 1/4W CF
372	R608	340X2102-934	RES 1K OHM 5% 1/4W CF
373	R609	340X2103-934	RES 10K OHM 5% 1/4W CF
374	R610	340X2103-934	RES 10K OHM 5% 1/4W CF
375	R611	340X2154-934	RES 150K OHM 5% 1/4W CF
376	R612	340X2153-934	RES 15K OHM 5% 1/4W CF
377	R613	340X2022-934	RES 2.2K OHM 5% 1/4W CF
378	R614	340X2242-934	RES 2.4K OHM 5% 1/4W CF
379	R615	340X2273-934	RES 27K OHM 5% 1/4W CF
380	R616	340X2911-934	RES 910K OHM 5% 1/4W CF
381	R617	340X3821-934	RES 820K OHM 5% 1/2W CF
382	R618	340X3829-934	RES 82 OHM 5% 1/2W CF
383	R619	340X4820-633	RES 82 OHM 5% 1W MO/MF
384	R620	340X4681-531	RES 680 OHM 5% 1W CF
385	R621	340X2272-934	RES 2.7 OHM 5% 1/4W CF
386	R622	340X2105-934	RES 1M OHM 5% 1/4W CF
387	R623	340X2472-934	RES 470K OHM 5% 1/4W CF
388	R624	340X2184-934	RES 180K OHM 5% 1/4W CF
389	R625	340X3271-934	RES 270 OHM 5% 1/2W CF
390	R626	340X2683-934	RES 68K OHM 5% 1/4W CF
391	R627	340X2623-934	RES 62K OHM 5% 1/4W CF
392	R628	340X2103-934	RES 10K OHM 5% 1/4W CF
393	R700	340X2102-934	RES 1K OHM 5% 1/4W CF
394	R701	340X2103-934	RES 10K OHM 5% 1/4W CF
395	R702	340X2223-934	RES 22K OHM 5% 1/4W CF
396	R703	340X2301-934	RES 300K OHM 5% 1/4W CF
397	R704	340X2472-934	RES 4.7K OHM 5% 1/4W CF
398	R705	340X2471-934	RES 470K OHM 5% 1/4W CF
399	R707	340X2102-934	RES 1K OHM 5% 1/4W CF
400	R709	340X2223-934	RES 22K OHM 5% 1/4W CF
401	R710	340X2103-934	RES 10K OHM 5% 1/4W CF
402	R711	340X2123-934	RES 12K OHM 5% 1/4W CF
403	R712	340X2103-934	RES 10K OHM 5% 1/4W CF
404	R713	340X2102-934	RES 1K OHM 5% 1/4W CF
405	R714	340X2223-934	RES 33K OHM 5% 1/4W CF
406	R715	340X2102-934	RES 1.0K OHM 5% 1/4W CF
407	R716	421X8661-221	RES 8.66K OHM 1% 1/4W CF
408	R717	340X2822-934	RES 8.2K OHM 5% 1/4W CF
409	R718	340X2103-934	RES 10K OHM 5% 1/4W CF
410	R719	340X2912-934	RES 9.1K OHM 5% 1/4W CF
411	R720	340X3220-934	RES 22K OHM 5% 1/2W CF
412	R721	340X3393-234	RES 39K OHM 5% 1/2W CC
413	R722	340X2682-934	RES 6.8K OHM 5% 1/4W CF
414	R723	340X2222-934	RES 2.2K OHM 5% 1/4W CF
415	R724	340X2162-934	RES 1.6K OHM 5% 1/4W CF
416	R725	340X2101-934	RES 100K OHM 5% 1/4W CF
417	R726	340X2103-934	RES 10K OHM 5% 1/4W CF
418	R727	340X4392-631	RES 3.9K OHM 5% 1W MO/MF
419	R728	340X5102-731	RES 1.0K OHM 5% 2W MO/MF

**DEFLECTION BOARD ASSEMBLY**  
**025A1426-001**

**P738**

420	R729	340X2101-934	RES 100K OHM 5% 1/4W CF
421	R732	340X4222-631	RES 2.2K OHM 5% 1/4W MO/MF
422	R734	340X2101-934	RES 1.0K OHM 5% 1/4W CF
423	R735	340X2102-934	RES 1.0K OHM 5% 1/4W CF
424	R736	340X2153-934	RES 15K OHM 5% 1/4W CF
425	R745	340X2182-934	RES 1.8K OHM 5% 1/4W CF
426	R750	340X2471-934	RES 470K OHM 5% 1/4W CF
427	R751	340X2682-934	RES 6.8K OHM 5% 1/4W CF
428	R752	340X2103-934	RES 10K OHM 5% 1/4W CF
429	R753	340X2333-934	RES 33K OHM 5% 1/4W CF
430	R754	340X2682-934	RES 6.8K OHM 5% 1/4W CF
431	R755	340X2103-934	RES 10K OHM 5% 1/4W CF
432	R756	340X2222-934	RES 2.2K OHM 5% 1/4W CF
433	R759	320X2000-000	WIRE #20 BARE SOLID
434	R760	043X0509-004	RES 100K OHM 5% 1/2W CF
435	R762	340X2330-934	RES 33K OHM 5% 1/4W CF
436	R763	340X2822-934	RES 8.2K OHM 5% 1/4W CF
437	R765	340X3333-934	RES 33K OHM 5% 1/2W CF
438	R800	320X2000-000	WIRE #20 BARE SOLID
439	R801	340X2821-934	RES 820 OHM 5% 1/4W CF
440	R802	340X2000-000	WIRE #20 BARE SOLID
441	R803	340X2103-934	RES 10K OHM 5% 1/4W CF
442	R804	340X2334-934	RES 330K OHM 5% 1/4W CF
443	R806	340X2471-934	RES 470K OHM 5% 1/4W CF
444	R809	340X3391-934	RES 390K OHM 5% 1/2W CF
445	R810	340X3202-934	RES 2K OHM 5% 1/4W CF
446	R811	340X3104-934	RES 100K OHM 5% 1/2W CF
447	R812	340X2202-934	RES 2.0K OHM 5% 1/4W CF
448	R813	340X2103-934	RES 10K OHM 5% 1/4W CF
449	R814	340X2302-934	RES 3.0K OHM 5% 1/4W CF
450	R815	340X2474-934	RES 470K OHM 5% 1/4W CF
451	R816	340X2204-934	RES 200K OHM 5% 1/4W CF
452	R817	340X2474-934	RES 470K OHM 5% 1/4W CF
453	R818	320X2000-000	WIRE #20 BARE SOLID
454	R819	340X2103-934	RES 10K OHM 5% 1/4W CF
455	R821	340X2102-934	RES 1.0K OHM 5% 1/4W CF
456	R823	340X5047-631	RES 4.7K OHM 5% 2W MF
457	R824	340X5043-631	RES 4.3 OHM 5% 2W
458	R825	340X3202-844	RES 2.0K OHM 5% 1/2W CC
459	R830	421X3572-221	RES 35.7K OHM 1% 1/4W
460	T101	053X0631-001	TFMR SLYB 140-340V 120KHZ
461	T700	053X0624-001	TFMR FLBACK
462	T701	052X0131-001	TFMR HORIZ DRIVER
463	TP103	030X0798-001	PIN 1mm OSHIMA
464	TP104	030X0798-001	PIN 1mm OSHIMA
465	TP105	030X0798-001	PIN 1mm OSHIMA
466	TP106	030X0798-001	PIN 1mm OSHIMA
467	TP200	030X0798-001	PIN 1mm OSHIMA
468	TP201	030X0798-001	PIN 1mm OSHIMA
469	TP202	030X0798-001	PIN 1mm OSHIMA
470	TP203	030X0798-001	PIN 1mm OSHIMA
471	TP204	030X0798-001	PIN 1mm OSHIMA
472	TP205	030X0798-001	PIN 1mm OSHIMA
473	U101	086X0257-001	IC PWM UC3842AN
474	U601	086X0326-001	IC VERT DEF LTA1771
475	U701	086X0274-001	IC LA7850 H/V PROC SANYO
476	U702	086X0333-001	IC QUAD XOR SN4LS136N
477	VR101	040X0639-014	TRIM POT 1K OHM 0.3W 20%
478	VR700	040X0639-008	TRIM POT 10K OHM 0.3W 20%
479	Z601	066X0040-046	MOT IM5242B DIODE
480	Z700	066X0040-028	ZENER DIODE 5.1V 5% 0.5W
481	Z701	066X0040-022	ZENER DIODE 5.6V 5% 0.5W
482	Z702	066X0040-017	ZENER DIODE 13V 1W
483	Z705	066X0040-020	ZENER DIODE 9.1V 5% 0.5W
484	Z800	421X3572-221	RES 35.7K OHM 1% 1/4W
485	Z802	066X0040-031	ZENER DIODE 24V 3% 0.5W