



WELLS-GARDNER
ELECTRONICS CORPORATION

K7500
MID RESOLUTION



K 7 5 0 0 P R O D U C T S P E C I F I C A T I O N S

S P E C I F I C A T I O N S

- CRT size (diagonal measure): **25", 27"**
- Phosphor type: P22
- CRT etch: Polished faceplate; other faceplates available
- Striped trio spacing: 0.84 mm (25" and 27")

I N P U T S I G N A L S

- Input connector: 0.156 center header
- Video type: RGB analog
- Video input impedance: 1k ohm; other values available
- Video level: 1.5 to 4 volts peak-to-peak; other levels optional
- Sync type: TTL sync; separate or composite, negative or positive
- Sync input impedance: 4.7k ohms
- Horizontal sync frequency: 25 kHz
- Vertical sync frequency: 47 to 63 Hz

L I G H T O U T P U T

40 fL typical

G E O M E T R Y

- Horizontal linearity: $\pm 5\%$
- Vertical linearity: $\pm 5\%$
- Picture size regulation: 2%
- Geometric distortion: $\pm 2\%$ max

P O W E R I N P U T

- Input voltage: 90 - 264 VAC, 50 - 70 Hz; no isolation transformer required
- Maximum power: 130 watts

U S E R C O N T R O L S

- Remote controls: Brightness, contrast, horizontal size, horizontal centering, vertical size, vertical centering, vertical frequency
- Internal controls: Focus, horizontal frequency

M E C H A N I C A L

See additional pages

M I S C E L L A N E O U S

- Operating temperature: 0 to 55 degrees C
- Agency compliance: U.L., C.S.A., D.H.H.S. radiation performance std., TUV

R E S O L U T I O N

- Graphics modes: 640 X 400 (may be limited by the CRT)
- Video bandwidth: 15 MHz typical

SPECIFICATIONS SUBJECT TO CHANGE WITHOUT NOTICE.

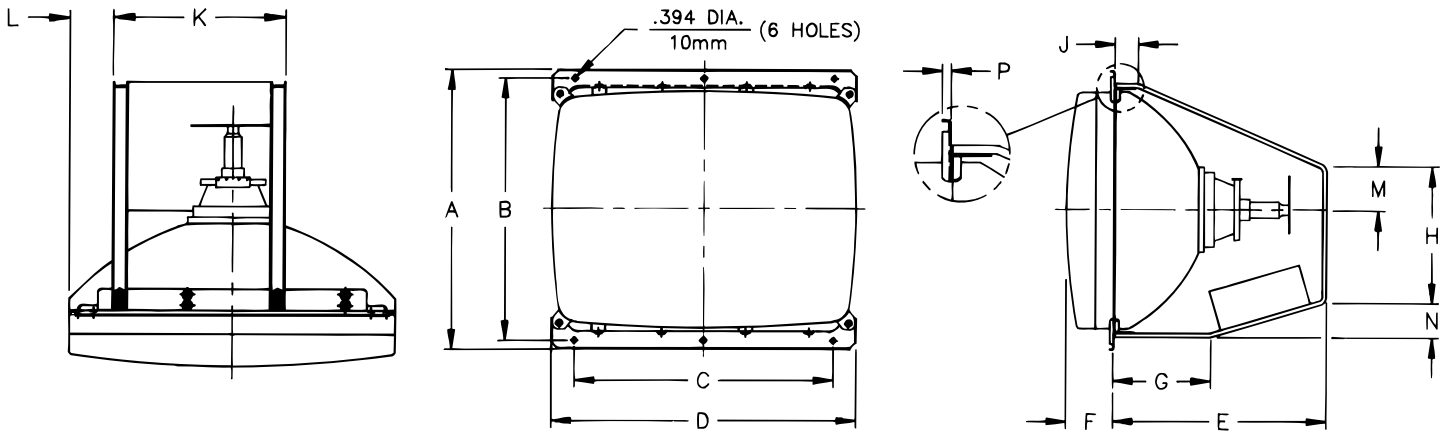


K 7 5 0 0
MECHANICAL SPECIFICATIONS



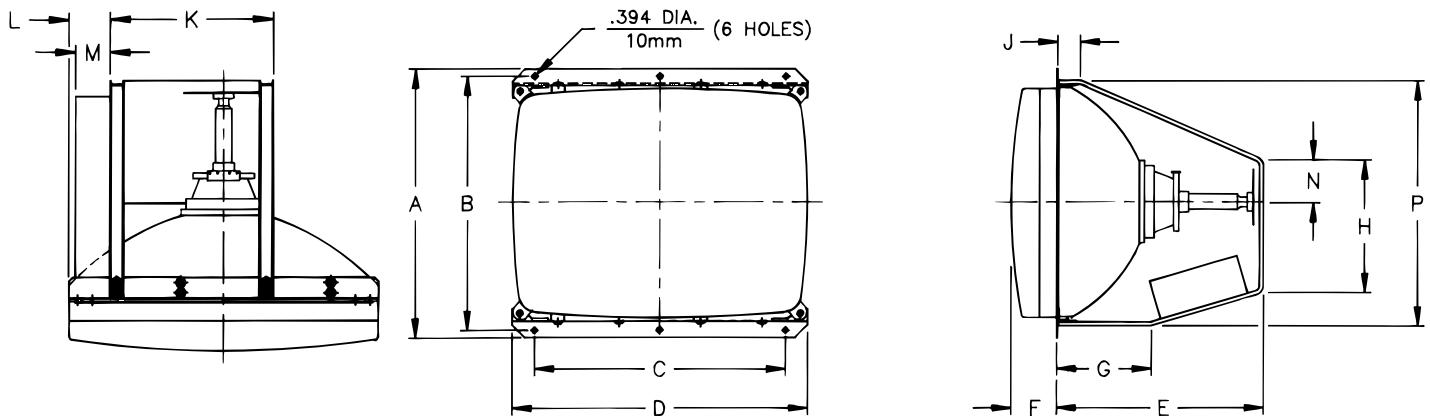
WELLS-GARDNER
ELECTRONICS CORPORATION

DIMENSIONS SHOWN ARE FOR REFERENCE ONLY. FOR SPECIFICS CONTACT W.G.E.C. ENGINEERING.
 2701 North Kildare Avenue Chicago, Illinois 60639 Phone (773) 252-8220 Fax (773) 252-8072



25V Color Monitor 25-U4 (F25M4) WG P/N: WGM2575-U4GS27S

| DIM. | A | B | C | D | E | F | G | H | J | K | L | M | N | P |
|------|--------|--------|--------|--------|--------|-------|--------|--------|-------|--------|-------|-------|-------|------|
| IN. | 20.630 | 19.291 | 19.291 | 23.000 | 16.125 | 3.590 | 7.375 | 10.125 | 1.750 | 12.000 | 3.140 | 3.250 | 2.562 | .343 |
| mm. | 524.0 | 490.0 | 490.0 | 584.2 | 409.58 | 91.19 | 187.33 | 257.18 | 44.45 | 304.8 | 79.76 | 82.55 | 65.07 | 8.71 |



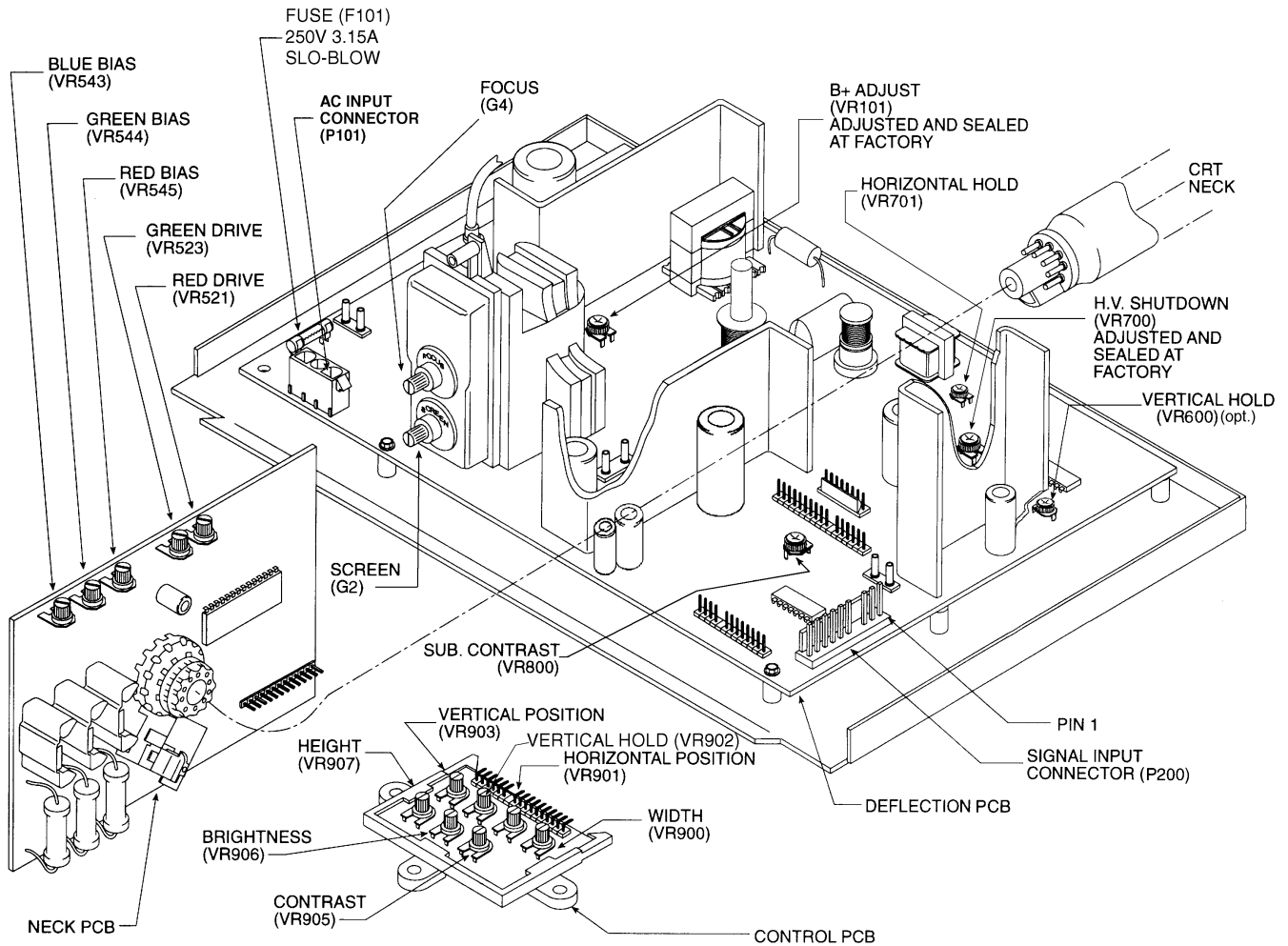
27V Color Monitor 27-U0 (F27M) WG P/N: WGM2775-U0GS61H

| DIM. | A | B | C | D | E | F | G | H | J | K | L | M | N | P |
|------|--------|--------|--------|--------|--------|-------|--------|--------|-------|--------|-------|-------|-------|--------|
| IN. | 21.937 | 20.644 | 20.644 | 24.500 | 16.125 | 3.230 | 7.375 | 10.125 | 1.750 | 12.000 | 3.875 | 2.750 | 3.250 | 20.210 |
| mm. | 557.20 | 524.36 | 524.36 | 622.30 | 409.58 | 82.04 | 187.33 | 257.18 | 44.45 | 304.80 | 98.43 | 69.85 | 82.55 | 513.34 |



WELLS-GARDNER
ELECTRONICS CORPORATION

M O D E L
2 5 K 7 5 0 1
2 7 K 7 5 0 1



AC INPUT CONNECTOR: P101

AMP 350760-4
Mating AMP type 1-480700-0

| Pin | Description |
|-----|--------------|
| 1 | AC hot |
| 2 | Earth ground |
| 3 | AC neutral |

INPUT SIGNAL CONNECTOR: P200

AMP 1-640445-0
Mating AMP type 1-640250-0

| PCB Connector Pin | Description | Mating Connector Pin |
|-------------------|------------------|----------------------|
| 10 | Red | 1 |
| 9 | Green | 2 |
| 8 | Blue | 3 |
| 7 | Gnd | 4 |
| 6 | ± Vertical Sync | 5 |
| 5 | ± Horz/Comp Sync | 6 |
| 4 | Key | 7 |
| 3 | Gnd | 8 |
| 2 | ± Vertical Sync | 9 |
| 1 | ± Horz/Comp Sync | 10 |



WELLS-GARDNER
ELECTRONICS CORPORATION

2 5 K 7 5 0 1
2 7 K 7 5 0 1



REPLACEMENT PARTS LIST

Main, Neck & Control PCB Assembly Parts List



| DIODES | | |
|--|-----------------------------|--------------|
| DESIGNATION | DESCRIPTION | PART NO. |
| Z500 | ZENER DIODE 12V 5% 1.0W | 066X0040-050 |
| Z601 | ZENER DIODE 12V 5% 0.5W | 066X0040-046 |
| Z700 | ZENER DIODE 5.1V 5% 0.5W | 066X0040-028 |
| Z701 | ZENER DIODE 5.6V 5% 0.5W | 066X0040-022 |
| Z702 | ZENER DIODE 13V 6.5% 1.0W | 066X0040-017 |
| Z804 | ZENER DIODE 9.1V 5% 0.5W | 066X0040-020 |
| Z802 | ZENER DIODE 24V 3% 0.5W | 066X0040-031 |
| Z800 | ZENER DIODE 75V 5% 0.5W | 066X0040-048 |
| D101, D102, D103, D104 | DIODE 1N5406 | 066X0135-001 |
| D105 | DIODE 1N4007 | 066X0095-001 |
| D106A, D106B, D106C | DIODE 200V 3.5V BYV28-200 | 066X0097-001 |
| D107 | DIODE MUR490 | 066X0126-002 |
| D108, D112, D113, D310, D301, D302, D303 | DIODE RU-2 1A 600V FAST REC | 066X0090-001 |
| D114, D603 | DIODE 1N4001 | 066X0071-001 |
| D117 | DIODE DAMP 1A 600V GIRGP10J | 066X0144-001 |
| D501, D502, D503, D507 | DIODE 1N914B | 066X0070-001 |
| D504, D505, D506, D803, D807 | DIODE SANYO GMA02 | 066X0062-001 |
| D600, D601, D602, D604, D700 | DIODE 1N914B | 066X0070-001 |
| D702, D709, D711, D800, D804 | DIODE 1N914B | 066X0070-001 |
| D707 | DIODE DD54RC SANYO | 066X0150-001 |
| D708 | DIODE MUR 460 | 066X0126-005 |
| D810 | DIODE 1N4005 | 066X0075-001 |

| INTEGRATED CIRCUITS | | |
|---------------------|--------------------------------|--------------|
| DESIGNATION | DESCRIPTION | PART NO. |
| U101 | IC PWM UC3842AN | 086X0257-001 |
| U500 | IC LM1203N RGB VID AMP | 086X0270-001 |
| U601 | IC VERT DEFL TDA1771 | 086X0326-001 |
| U701 | IC LA7850 H/V PROC SANYO | 086X0274-001 |
| U702 | IC QUAD 2-INPUT X OR 2N74LS136 | 086X0333-001 |

| TRANSFORMERS | | |
|--------------|----------------------------|--------------|
| DESIGNATION | DESCRIPTION | PART NO. |
| T101 | TFMR SMPS | 053X0649-001 |
| T700 | TFMR FLBK | 053X0651-001 |
| L701 | COIL LINEARITY | 009A2813-018 |
| L703 | COIL PINCUSHION CORRECTION | 009A2970-002 |

| TRANSISTORS | | |
|------------------------------------|--------------------------|--------------|
| DESIGNATION | DESCRIPTION | PART NO. |
| Q502, Q506, Q507, Q508, Q601, Q700 | TRSTR 2N3904 MOT | 086X0113-501 |
| Q509, Q510, Q511 | TRSTR 2N3906 MOT | 086X0114-501 |
| Q800, Q802, Q803 | TRSTR MPSA92 MOT | 086X0133-501 |
| Q602 | TRSTR 2SC29275 NEC | 086X0176-001 |
| Q703 | TRSTR 2SC2482 TOSH | 086X0185-501 |
| Q709 | TRSTR 2N4403 | 086X0211-501 |
| Q704 | TRSTR 2SC3686 | 086X0286-001 |
| Q503, Q504, Q505 | TRSTR NPN SANYO 2SC3782 | 086X0287-001 |
| Q101 | TRSTR N-MOSFET 6N60 | 086X0334-001 |
| Q710 | TRSTR BDX53A SGS NPN DAR | 086X0335-001 |

| VARIABLE POTENTIOMETERS | | |
|-------------------------|------------------------|--------------|
| DESIGNATION | DESCRIPTION | PART NO. |
| VR900 | TRIM POT 5K OHM .15W | 040X0714-007 |
| VR901 | TRIM POT 20K OHM .15W | 040X0714-009 |
| VR903 | TRIM POT 2K OHM .15W | 040X0714-006 |
| VR905 | TRIM POT 10K OHM .15W | 040X0714-008 |
| VR906 | TRIM POT 50K OHM .15W | 040X0714-010 |
| VR907 | TRIM POT 200K OHM .15W | 040X0714-012 |

| MISCELLANEOUS | | |
|---------------|-----------------------------------|--------------|
| DESIGNATION | DESCRIPTION | PART NO. |
| F101 | FUSE 3.15A 5 X 20 IEC/UL SLO BLOW | 016X0211-009 |
| R760 | RES 470 OHM 5% 1W FP FAILSFE | 043X0509-006 |
| CRT | CRT 25 INCH | 088X0373-506 |
| CRT | CRT 27 INCH | 088X0375-506 |
| R108 | RES 0.33 OHM 5% 2W MF | 420X5339-323 |

