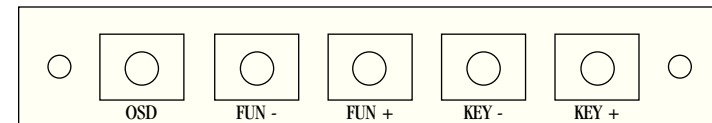


OSD (On screen display menu) CONTROLS & ADJUSTMENTS:

There are five switches on the control panel with Key Function:

- ① OSD/EXIT OSD—Call the Main-Menu OSD
- ② FUN - /FUN + When the Main-Menu is displayed, you can *select* each function using these keys.
- ③ KEY - /KEY + When the Sub-Menu is displayed, you can *change* the amplitude of the selected function of the screen using these keys.

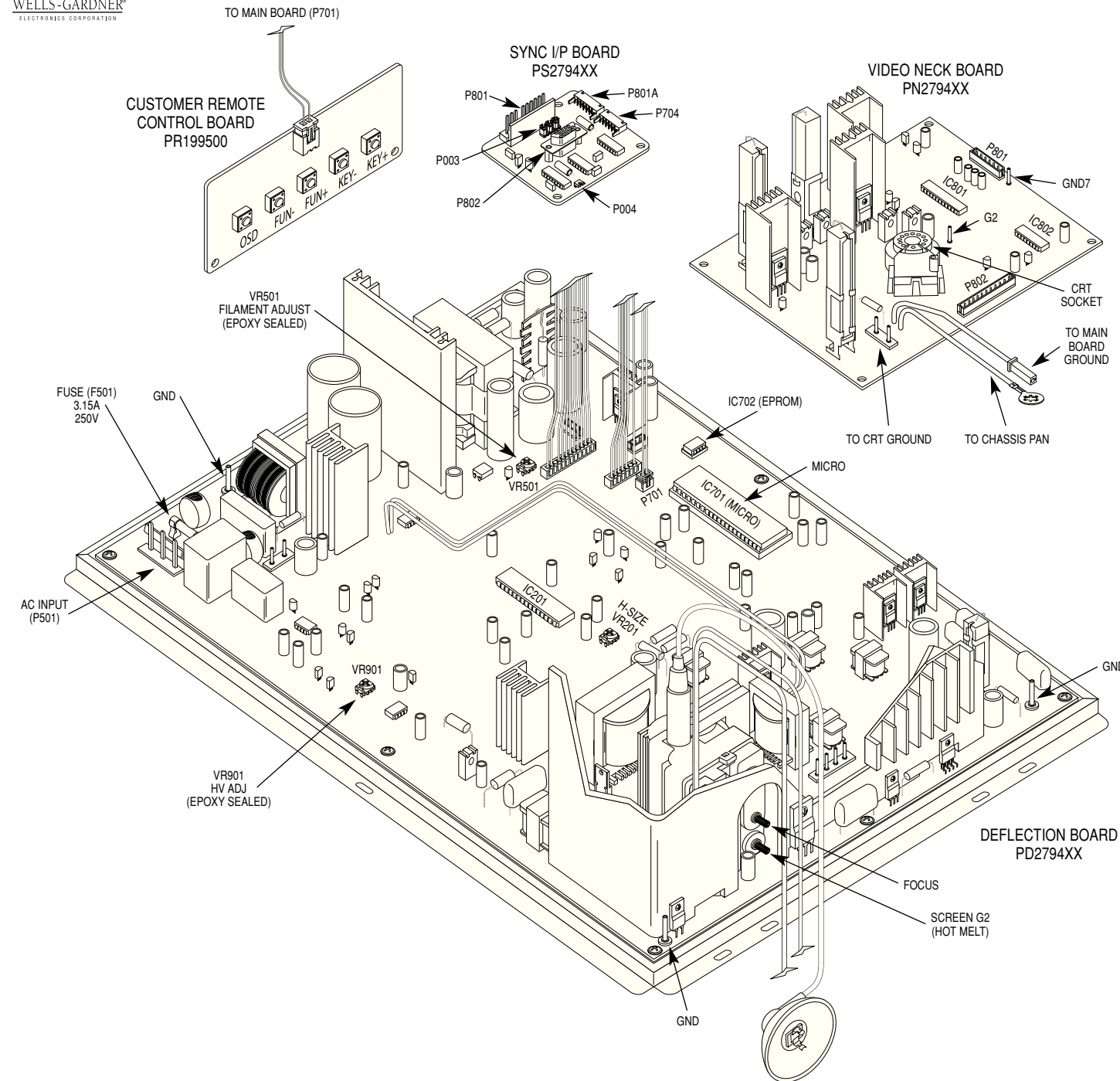


Location	Adjustment Method	Function
Customer Control PCB	OSD Control	Brightness Contrast H. Position V. Position H. Size V. Size Side Pincushion Trapezoid Pin Balance Parallelogram OSD Time Degauss RGB Screen Color Recall
Main PCB Factory Adjusted	Control: VR501, VR901, VR201, VR202, and FBT	Fil, H/V, H-SIZE, H-GEN, Focus and Screen

BRIGHTNESS ADJUSTMENT:

- 1) Press the "OSD" key—the Main-Menu OSD will come up as pictured above.
- 2) Search "BRIGHTNESS" sub-menu using "FUN -" or "FUN +" key on the Main-Menu OSD.
- 3) The "BRIGHTNESS" OSD color changes from blue to red.
- 4) Adjust Brightness as much as you want using "KEY -" or "KEY +".
- 5) After finishing the Brightness adjust, press the "OSD" key. The "OSD" will disappear. The new Brightness value will be saved automatically.
- 6) If you want to adjust other functions (sub-menu), search the function using "FUN -" or "FUN +", and then repeat the same procedures of steps 2-5.
- 7) Press the "OSD" key again to finish adjustments and the OSD will disappear. If no action is taken in the OSD, the menu will disappear by itself.

Note: When the "RECALL" key is pressed, all user's adjustment values are changed to the factory values.



AC INPUT CONNECTOR: P501
15 Pin Subminiature D-type AMP (AC I/P) 640445-5

Pin	Description
1	AC hot
2	Earth ground
3	AC neutral

CABLE VIDEO CONNECTOR

Pin	Description
1	Red video input
2	Green video input
3	Blue video input
4	Gnd
5	+ - Vertical sync
6	+ - Horizontal sync
7	Key
8	Gnd
9	+ - Vertical sync
10	+ - Composite sync
11	Digital/sync ground
12	Reserved (mode)
13	Reserved (SDA)
14	Horizontal sync
15	Vertical sync
16	Reserved (SCL)

PCBA CONNECTOR PIN

Pin	Description
1	Red
2	Green
3	Blue
4	Gnd
5	+ - Vertical sync
6	+ - Horizontal sync
7	Key
8	Gnd
9	+ - Vertical sync
10	+ - Composite sync



**MODEL PD279400
MODEL PD279410
MODEL PD339400**

**REPLACEMENT PARTS LIST
Main, Neck & Control PCB Assembly Parts List**

DESIGNATION	DESCRIPTION	PART NO.
IC701	MCU, WT62P2	2EUC-MCUXXX00
	U-COM CHKSUM=2C11	086X0458-001
IC702	EEPROM 24LC08	2EUC-24C08XX00
IC702(D9400)	EEPROM CHKSUM=8E70	086X0456-001
IC702(D9410)	EEPROM CHKSUM=9C50	086X0457-001
IC201	SCAN PROC	2EUC-STV688900
IC301	VERTICAL IC	2EUC-STV817200
IC501,901	KA3842B	2EUC-KA3842B00
IC502	TLP421F/G21/MCT817	2EUC-TLP721F00
IC503	REG, H431/KIA431, TO-92	2EUC-TL431X00
IC504	AC SWITCH,STR83145	2EUC-83145XXBK
IC505	REG, L7812A	2EUC-LM78M12BK
IC801	VIDEO PRE-AMP	2EUC-LM1269A00
IC802	OSD, NEB-24v2	2EUC-OSD24V200

DESIGNATION	DESCRIPTION	PART NO.
R312,313	MOF, 2W, 3.3, J, MK	2ERMO-203300JMK
R315	WW, 2W, 0.51, J, MK	2ERWW-20R510JMK
R506	FUSIBLE, 1/4W, 3.3 OHM	2ERFU-043300JT5
R513	CF, 1/6W, 1K, J	2ERCF-061003JT5
R514	WW, NON-IND,2W, 0.18	2ERWN-20R180JMK
R515	CF, 1/6W, 33, J	2ERCF-063301JT5
R560,574	MOF, 1W, 120K, J, MK	2EROM-101205JMK
R901	WW, 2W, 0.33, J, MK	2ERWW-20R330JMK
R908	MOF, 2W, 0.22, J, MK	2ERMO-20R220JMK

DESIGNATION	DESCRIPTION	PART NO.
VR201,901	SVR, D6, 20K OHM	2ESVR-C1B203NB8
VR202	SVR, D6, 5K OHM	2ESVR-C1B502NB8
VR501	SVR, D6, 300 OHM	2ESVR-C1B301NB8

DESIGNATION	DESCRIPTION	PART NO.
Q207,901	NPN,2SC5387,1500V,10A	2EQTR-C5387XX00
Q216,217,218	IRFS654B, ISOLATED	2EMOS-IRF654IBK
Q206,903	IRFS634B, ISOLATED	2EMOS-IRF634IBK
Q501	2SK2746, 800V, 7A	2EMOS-K2746XXBK
Q514	NPN, HDS882P TO-126	2EQTR-D882PXX00
Q202,266,521,605,950	PNP,KIA733PTO-92	2EQTR-A733PXX00
Q203,210-212	NPN, KTC945P/KSC945C	2EQTR-C945PXX00
Q260-262,264,265	NPN, KTC945P/KSC945C	2EQTR-C945PXX00
Q302,303,306,520,602	NPN, KTC945P/KSC945C	2EQTR-C945PXX00
Q604,606,906,951,952	NPN, KTC945P/KSC945C	2EQTR-C945PXX00
Q801,811,821	NPN, HPH2369, TO-92	2EQTR-PH2369XX00
Q802,812,822	NPN, HSC2682, TO-126ML	2EQTR-C2682XX00
Q803,813,823	NPN, HSD1609, TO-126ML	2EQTR-D1609XX00
Q804,814,824	NPN, HSB1109, TO-126	2EQTR-B1109XX00
Q805,815,825	PNP, HBF423, TO-92	2EQTR-BF423XX00

DESIGNATION	DESCRIPTION	PART NO.
T201	DRIVER XFORMER	2ETDR-I191R5M02
T202	STEP-UP XFORMER	2ETPU-I19401U00
T203	XFORMER	2ETHS-L351R5M00
T204	XFORMER	2ETFB-I194R0M00
T205	XFORMER	2ETXF-I225R0M00
T501	XFORMER	2ETPW-E42901U00
T901	"FBT, XFORMER"	2EFBT-U171R3M90
T902	XFORMER	2ETHS-L394R0M00
L203(D9400)	LIN COIL	2ELLC-D6F4R6U00
L203(D9410)	LIN COIL	2ELLC-D6F8R0U00
L501,502	CHOKE COIL 150uH	2ELDC-T50151U00
L503	CHOKE LINE 16mH	2ELCC-B28160M00
L504	CHOKE LINE 25uH	2ELCC-D6A250U00

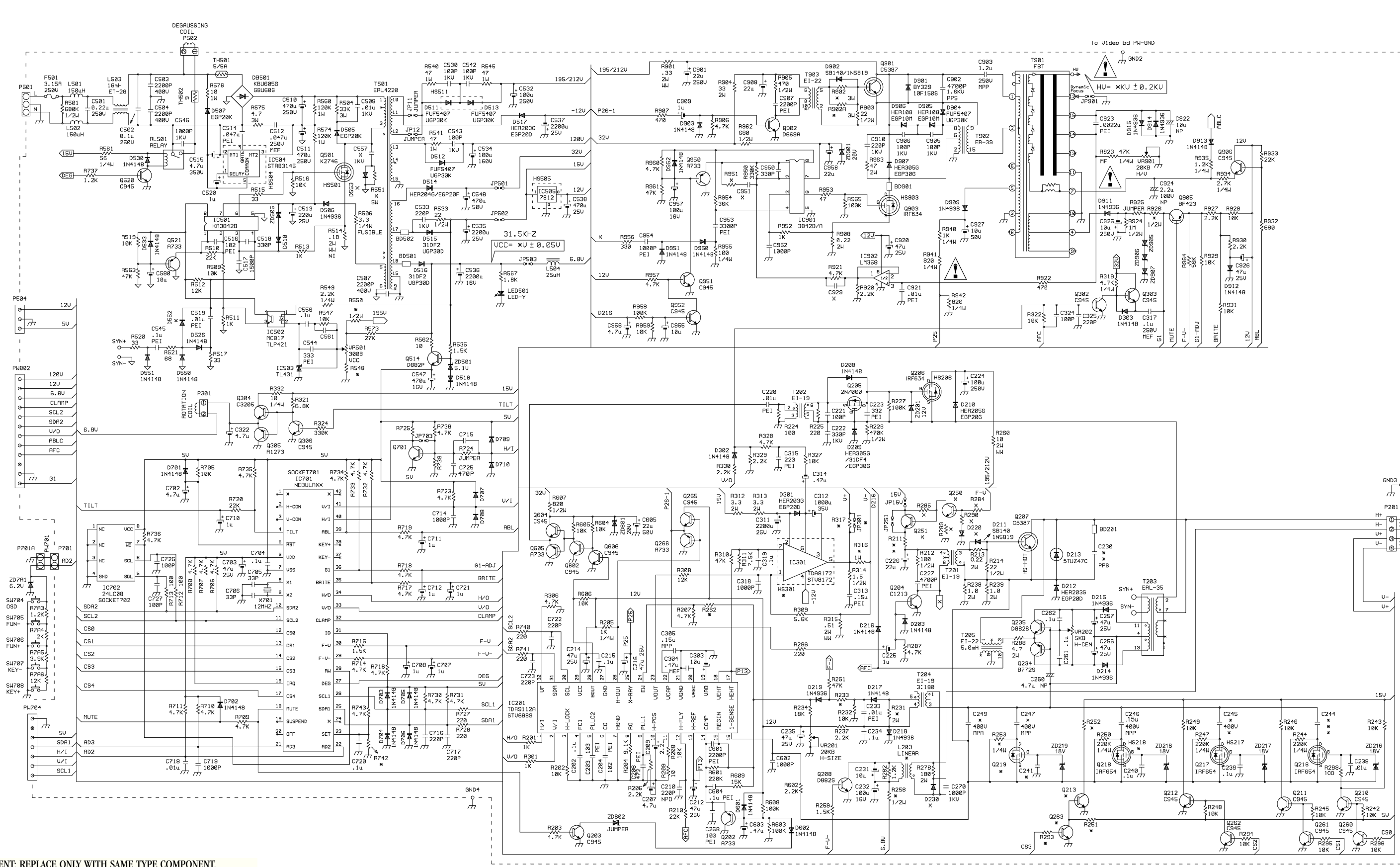
DESIGNATION	DESCRIPTION	PART NO.
C230(D9400)	PPS, 1.6KV, 0.012U, J	2EPPS-N3V123J27
C230(D9410)	PPS, 1.6KV, 0.01U, J	2EPPS-N3V103J27
C244(D9400)	MPP, 250V, 1.5U, J	2EMPP-N2E155J25
C244(D9410)	MPP, 250V, 1U, J	2EMPP-N2E105J25
C245(D9400)	MPP, 400V, 0.33U, J	2EMPP-N2G334J20
C245(D9410)	MPP, 400V, 0.12U, J	2EMPP-N2G124J15
C246	MPP, 400V, 0.15U, J	2EMPP-N2G154J15
C247	MPP, 400V, 0.068U, J	2EMPP-N2G683J15
C532	EC-TX, 105C, 250V, 100U	2ECLC-52E107M75
C534	EC-TX, 105C, 160V, 100U	2ECLC-52C107M75
C311,535,537	EC-FC, 105C, 25V, 2200U	2ECLC-51E228M75
C536	EC-TL, 105C, 16V, 2200U	2ECLC-51C228MT5
C902	PPS, 1.6KV, 0.0047U, J	2EPPS-N3V472J20
C903	MPP, 250V, 1.2U, J	2EMPP-N2E125J25

DESIGNATION	DESCRIPTION	PART NO.
D209,907	EPG30G, 3A, 400V	2EDSI-EGP30GXMK
D212,301,517	EGP20D, 2A, 200V	2EDSI-EGP30GXMK
D511,513	FUF5407, GLASS, DO-201	2EDSI-FUF5407BK
D515,516	31DF2, DO-27	2EDSI-31DF2XXMK
D533	1N4148, DO-35	2EDSI-1N4148XT5
D901	BY329X-1500S, ISOLATED	2EDSI-BY329X5BK
D902	1N5819/SR140, DO-41	2EDSI-SR140XNT5
D905,906	EGP10M, GLASS, DO-204AL	EDSI-EGP10MXT5
D512,904	UGP30K, GLASS, DO-201	2EDSI-UGP30KXMK
ZD501	ZENER, 1/2W, 5.1V	2EDZE-5005V1JT5
ZD601,901	ZENER, 1/2W, 20V	2EDZE-5020V0JT5

DESIGNATION	DESCRIPTION	PART NO.
F501	SL BLW,FUSE 3.15A,250VAC	2EFUS-SG2531U2B
X701	CRYSTAL 12MHZ	2EOSC-XTL012300
DB501	BRIDGE KBU605G	2EDSI-KBU605GBK

RESTRICTED CONFIDENTIAL DOCUMENT

THIS DRAWING AND ALL INFORMATION SHOWN HEREON ARE THE EXCLUSIVE PROPERTY OF WELLS-GARDNER CORP. AND ARE SUBMITTED ONLY ON A CONFIDENTIAL BASIS. THE RECIPIENT AGREES NOT TO REPRODUCE THE DRAWING, TO RETURN IT UPON REQUEST, AND THAT NO DISCLOSURE OF THE DRAWING OR THE INFORMATION SHOWN HEREON WILL BE MADE TO A THIRD PARTY WITHOUT PRIOR WRITTEN CONSENT FROM WELLS-GARDNER CORPORATION.



NOTE

1. RESISTANCE IS SHOWN IN OHM K = 1,000 M = 1,000,000
2. UNLESS OTHERWISE NOTED IN SCHEMATIC ALL CAPACITOR VALUES LESS THAN 1 ARE EXPRESSED IN uF AND THE VALUES MORE THAN 1 IN pF

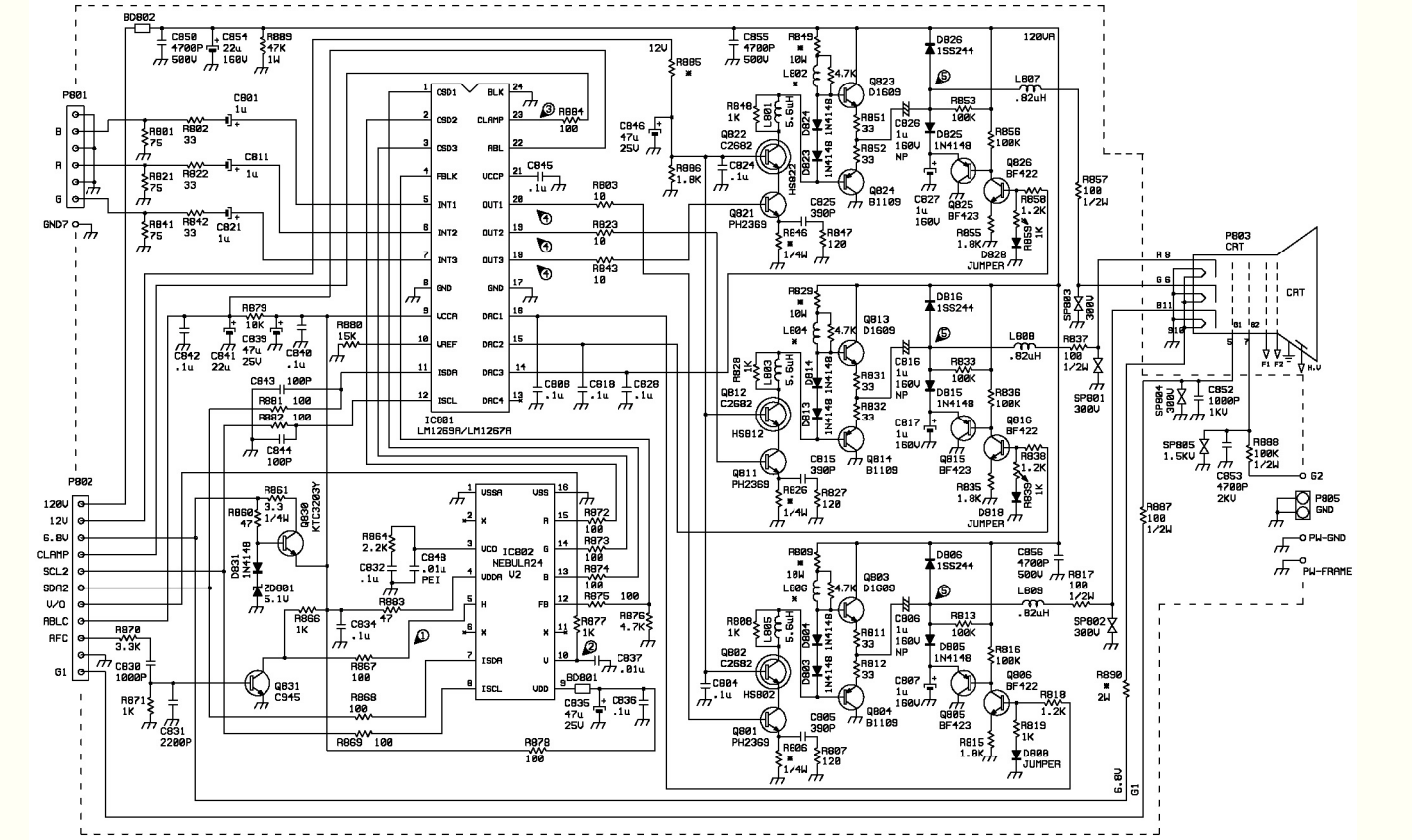
NOTE

1. UNLESS OTHERWISE SPECIFIED, ALL THE ELECTROLYTIC CAPACITORS ARE 105C.
2. THE UNIT OF RESISTANCE "OHM" IS OMITTED (K=1000 OHMS AND M=1MEG OHM).
3. ALL RESISTORS ARE 1/8 WATT UNLESS OTHERWISE NOTED.
4. THE UNIT OF CAPACITANCE "uFD" IS OMITTED UNLESS OTHERWISE NOTED "PF".

R317	R549	R526	R258	R262	R550	R742	C249	C245	C244	C247	R253	Q219	C241	R252	Q213	R251	Q263	R293	HS218	C230	R211	L203	R231	R233	R202	R202A	C315	R315	R316	
279400	2.2/7u	1.8K	150K	15	7.5K	180K	1.2K	.39u	.33u/MPP	1.5u/250u/MPP	.068u/220K	1R/654	1K	18K	C945	18K	C945	18K	HS218	.012u/1.6K	15/2u	4.6uH	120	12K	8.2	8.2	0.022u	0.51	120	
279410	X	2K	220K	4.7	10K	200K	4.7K	.22u	.12u/MPP	1u/250u/MPP	.068u/220K	1R/654	1K	18K	C945	18K	C945	18K	HS218	.01u/1.6K	33/2u	3.9uH	180	18K	6.8	6.8	0.022u	0.51	150	
339400	X	X	X	X	X	X	X	X	X	X	X	X	X	X	X	X	X	X	X	HS218	.01u/1.6K	33/2u	3.9uH	180	18K	6.8	6.8	0.022u	0.51	330

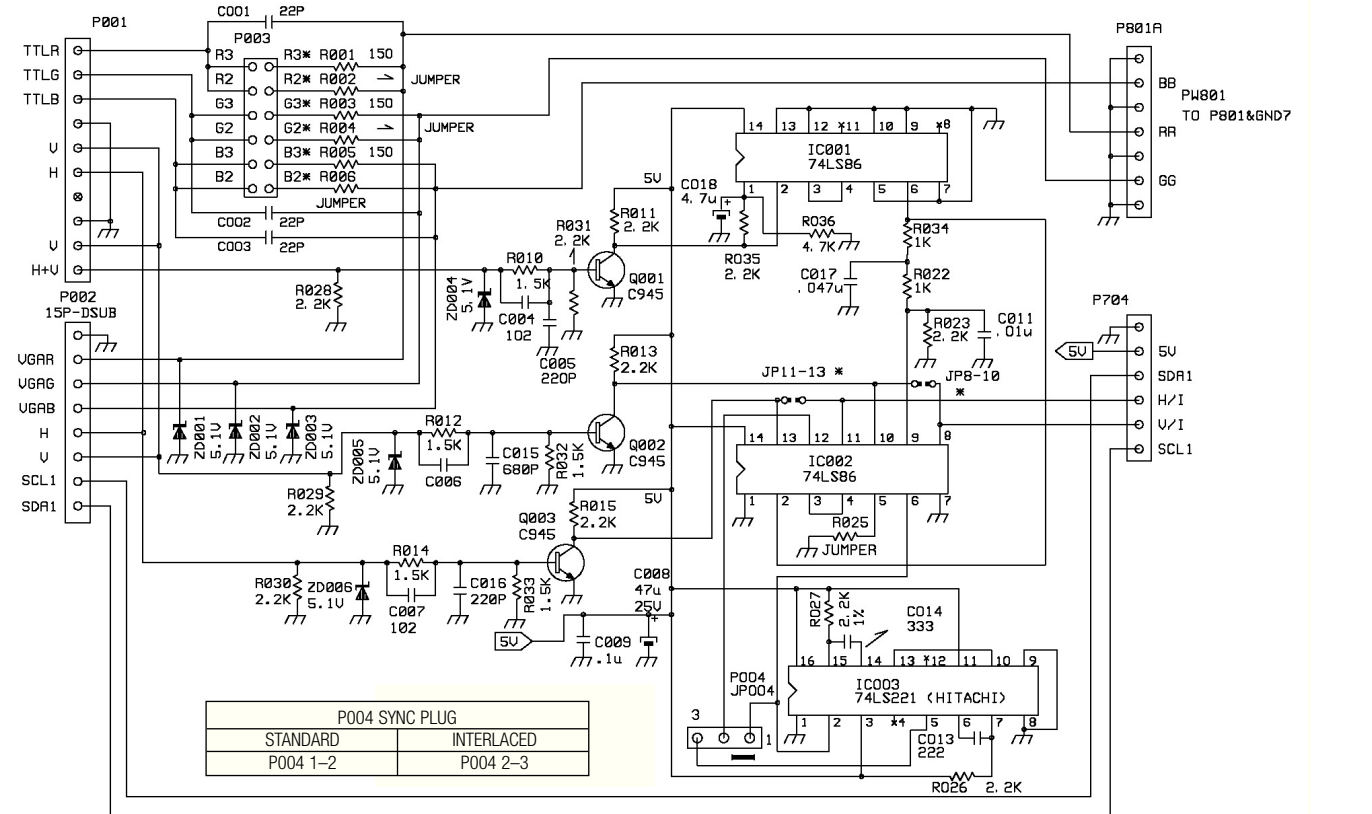
SAME AS 279400

PD279400/PD279410/PD339400 MAIN BOARD



PN279400/PN279410/PN339400 VIDEO BOARD

TTL VIDEO LEVEL	P003 (JP001-JP003)
1.4 VPP	R2/R2', G2/G2', B2/B2' Short
2.2 VPP	R3/R3', G3/G3', B3/B3' Short
VGA	DON'T CARE



PS279401 SYNC INPUT BOARD